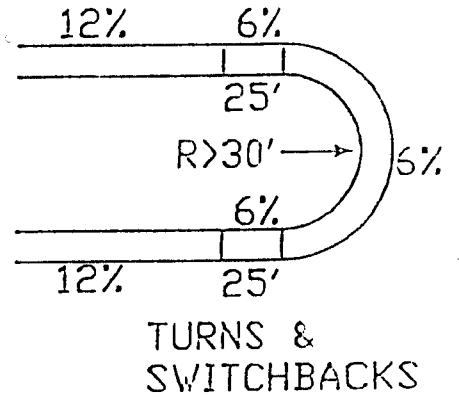
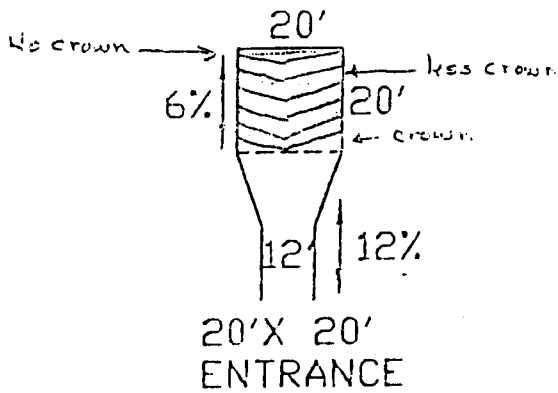
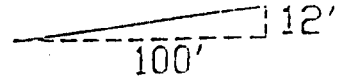


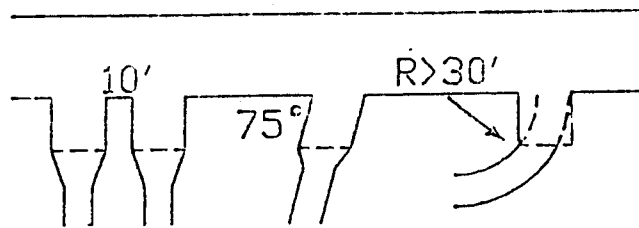
GILPIN COUNTY DRIVEWAY SPECS

MIN WIDTH 12'

MAX SLOPE 12%
(PROFILE)



INTERSECTIONS



DRAINAGE (SECTION)

